

**Roll in refrigerated GN1/1 cabinet • 2x1C • BIOROLL**

**INOX : S230B21 ou S231B21 (with 1 right or left door)**

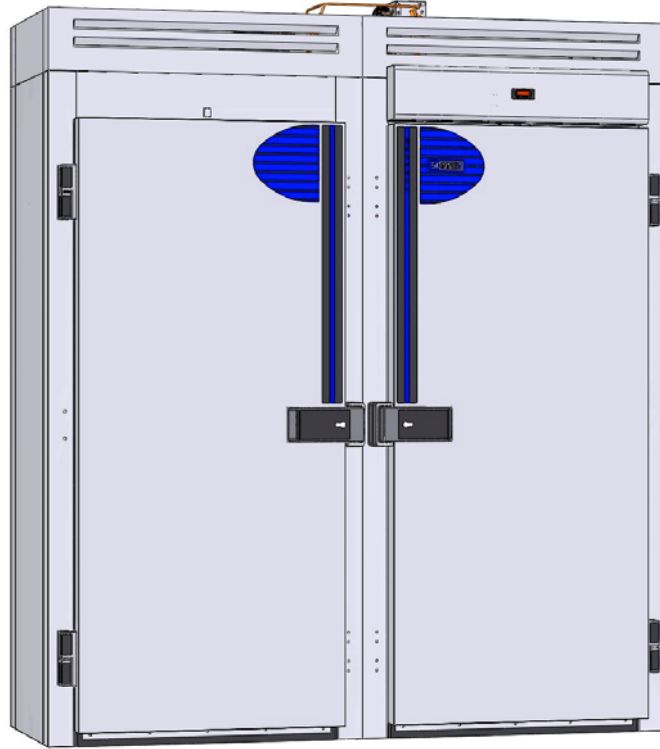
Model 2x1C, Positive for 2 trolleys GN1/1, 1 solid door

**GENERAL CHARACTERISTICS**

- . Roll in refrigerated cabinet with double ventilated air flow, designed for the conservation of refrigerated food.
- . As standard the cabinet is equipped with a solid front door.
- . Gross internal caapacity: 1.9 m3
- . Operating temperature : 0°C to +12°C
- . Ambient temperature : +43°C Maxi



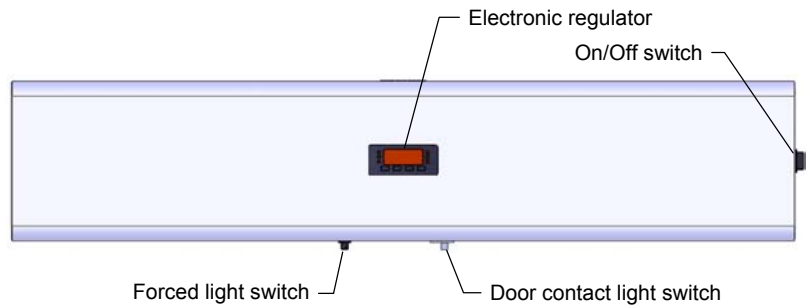
SG variant shown with 1 front right door



Model GI shown with 2 front doors (including 1 additional)

**CONTROL PANEL, REGULATION**

- . Temperature regulator with:
  - Digital temperature display ;
  - Automatic defrosting regulation ;
  - Temperature alarm.
- . On/Off switch with indicator.
- . Door contact light switch (optional)
- . Forced light switch (optional)



**INTERNAL ARRANGEMENT**

- Can be loaded with all types of 20 level multitrack trolleys (not supplied)
- Capacity 2 trolleys GN 1/1
- Useful internal dimensions (LxPxH) : 1840x515x1900 (door way 780x1900)

Code	Designation	Int. dimensions (L x P x H)	Outer dimensions (L x P x H)	Voltage	Electric power	Intensity (protection)
S230B21	BIOROLL 2x1C St. steel 1right door	1840x515x2000	2000x813x2375	1~230V 50Hz+T	500W	aM 4
S230B21S	Variant without unit		2000x813x2125			
S231B21	BIOROLL 2x1C St. steel 1 left door	1840x515x2000	2000x813x2375	1~230V 50Hz+T	500W	aM 4
S231B21S	Variant without unit		2000x813x2125			



**Compliance with standards and directives**

Electric safety: EN 60 335-1  
Food hygiene: NF U 60 010  
Compliant with relevant European directives: CE

S230B21 : Model 2x1C St. steel 1 right door  
S231B21 : Model 2x1C St. steel 1 left door

## INSTALLATION

The cabinet must be installed on a flat, smooth and perfectly horizontal floor. Seal with a bead of silicone putty on the periphery of the appliance.

## CONSTRUCTION

- Internal and external body panels in austenitic stainless steel sheet or in white plasticised steel sheet (except the external roof in corrosion proof galvanised sheet).
- Slatted louvered compressor cover (not supplied with the variant without compressor).

### Insulated body

- Dismountable panels assembled by hook system.
- 80mm thick expanded polyurethane foam insulation
- Break of thermal bridge between inner tank and outer structure.
- Floor fixation belts in austenitic stainless steel sheet.
- Rounded stainless steel bottom (optional).

### Door

- Clipped magnetic seal with door bottom splash band
- 2 rising hinges with stay open position and self closure to avoid rubbing of the base seal on the floor.
- Closure ensured by central lockable handle and catch with internal safety button of the palm type.
- Possible reversal of door opening (if undertaken on site, new lexan labels are necessary)

## ELECTRICAL CHARACTERISTICS

Voltage : 1~230V 50Hz+T  
Max. power : 500W  
Protection : aM 4

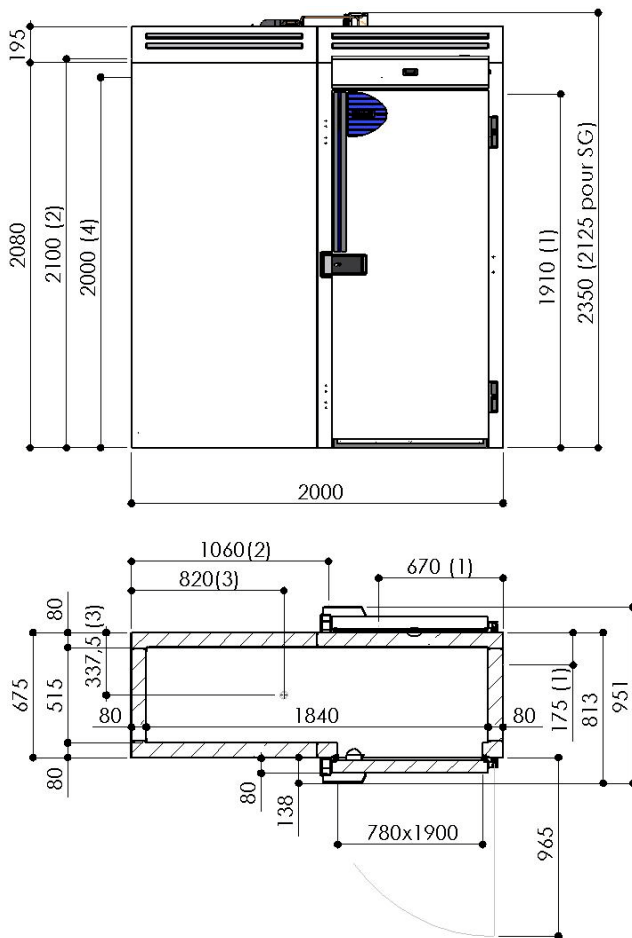
The appliance is delivered with a supply cable + plug.  
The installer is responsible for electric overloads and faults.

## REFRIGERATING CHARACTERISTICS

Refrigerating capacity : 940 W at -15/+55°C  
Coolant : R404A  
Load : See nameplate of the appliance  
Compressor : Sealed  
Condenser : air ventilated  
Evaporator : Double flow ventilated, treated against corrosion  
Expansion : Capillary tube (SG variant supplied with thermostatic valve)

Water from defrosting : double drainage (1) may be provided at the back or the right side of the cabinet (a connection trap to the public drainage system ensured by the installer).

- With a glazed door, when using at +3°C, the temperature and humidity conditions required for operation without condensation are +25°C and 65% HR or equivalent .



Wall model shown with: 1 front right door  
Free space for 1 back door.

- (1) Drainage of water from defrosting (PVC tube Ø20)  
(2) Electric connection (3 m long supply cable)  
(3) Refrigerating connections (SG variant)  
(4) Height under evaporator housing: 1900

## OPTIONS

S220B01 Right solid stainless door (right opening)  
S220B02 Left solid stainless door (left opening)  
S220B08 Glazed stainless door (double glazed 485x1485)  
S220B56 Rounded stainless steel bottom (2 door wall type)  
S220B57 Rounded stainless steel bottom (4 door roll through type)  
S220B10 Internal lighting (with door opening)  
S220B17 Forced lighting switch

S220B21 Stainless compressor cover at the back

## ACCESSORIES

S220B12 Defrost water evaporation kit  
S220B13 Defrost water lift pump  
S220B31 Internal floor finish kit (except with stainless base option)  
S220B41 External floor finish kit

PACKAGING	Type	Gross weight (kg)	Volume (m3)	Width	Length	Height
On a pallet a polyethylene sheet		260 (+15/door)	2.9 (+0.4/door)	1060	2150	1255 (+160/door)
	Open crate version	270 (+15/door)	4.2 (3.0 with 1 door)	1120	2210	1775 (1275 with 1 door)