

## Heated roll in cabinet GN2/1 • 1x1C • BIOROLL

### S251B11

Model 1x1C, 1 trolley GN2/1, 1 solid door

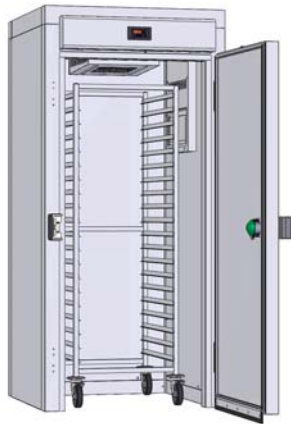
#### GENERAL CHARACTERISTICS

Heated cabinet for professional use designed for keeping convenience food at +85°C.

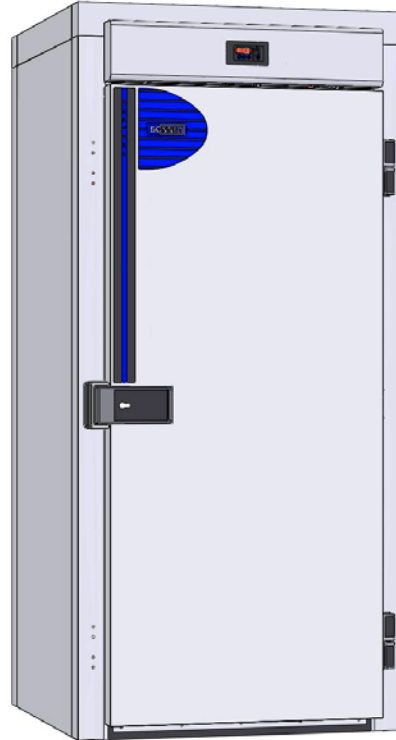
Gross internal capacity: 1 400 dm<sup>3</sup>.

Heating system with double flow air circulation.

To prevent food from drying and keep optimum moisture, a water receiver is housed in a casing placed on the side panel of the cabinet (available on option).

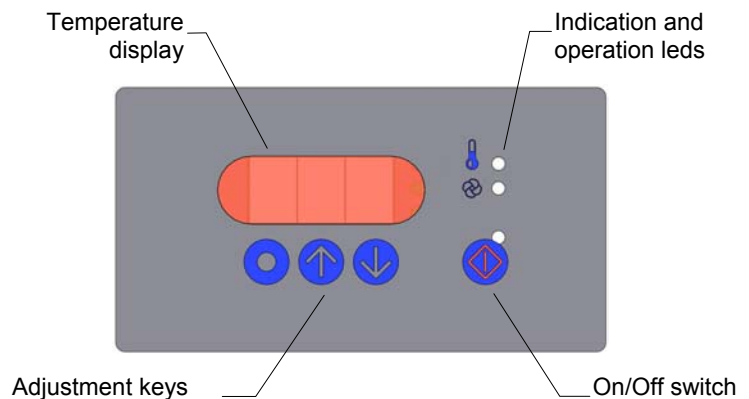


Open door with trolley and optional moistening system



#### CONTROL PANEL, REGULATION

- . Control and operation ensured by electronic regulation of the smooth front microprocessor type.
- . High and low temperature alarm
- . Manual reset safety thermostat.
- . Door switch to switch off heating and ventilation automatically at each opening.



Code	Designation	Int. dimensions (L x P x H)	Outer dimensions (L x P x H)	Voltage	Max. power (W)	Intensity (protection)
S251B11	Heated BIOROLL 1C GN2/1 1P.	840x840x2000	1000x1138x2180	3N~400V 50Hz+T	3500	aM 6



#### Compliance with standards and directives

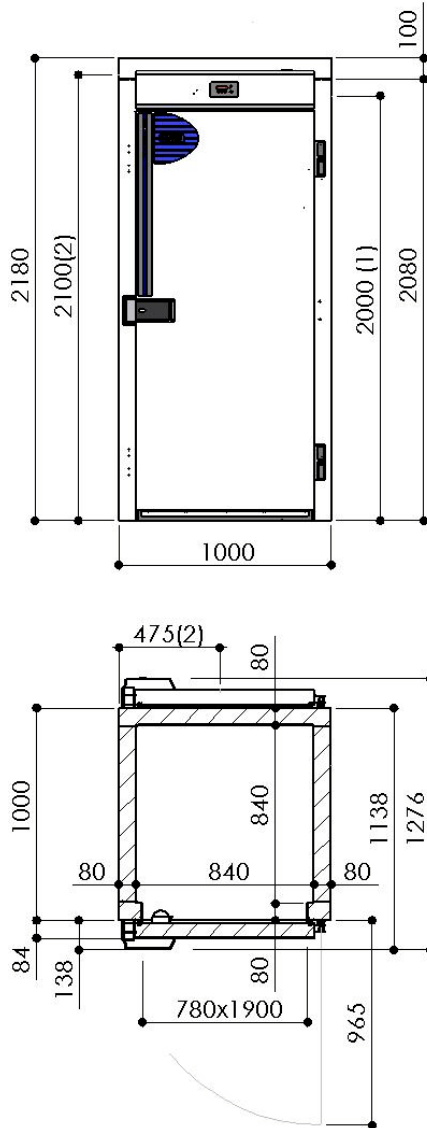
Electric safety: EN 60 335-1

Food hygiene: NF U 60 010

Compliant with relevant European directives: CE

Technic sheet n° **BE656180FT-0207**

S251B11 : Stainless heatd roll in GN2/1, 1x1C cabinet



Wall model shown with free space for back door.  
(1) Height under evaporator housing (1860 under turbine casing)  
(2) Electric connection (supply cable Lg.3M)

## INSTALLATION

The cabinet must be installed on a flat, smooth and perfectly horizontal surface. Seal with a bead of silicone putty at the periphery of the appliance.

## CONSTRUCTION

- Internal and external panels in austenitic stainless steel.

### Insulated body

- Dismountable panels assembled by hook systems.  
- 80 mm thick expanded poluyerathane foam insulation.  
- Break of thermal bridge between internal tank and external panels.

- Floor finish belts in austenitic stainless steel.  
- Rounded stainless steel bottom (in option).

### Solid door

- Clipped magnetic seal with door bottom splash band.  
- Closure ensured by central lockable handle and catch with internal button of the palm type.  
- 2 rising hinges with stay open position and self closure to avoid rubbing of the seal on the floor.  
- Possible reversal of door opening (if undertaken on site, new lexan labels are necessary)

## ELECTRIC CHARACTERISTICS

Voltage : 3N~400V 50Hz+T  
Max. power : 3500 W  
Protection : aM 6

The appliance is delivered with a supply cable + plug.  
The installer is responsible for electric overloads or faults.  
Foresee the installation of a circuit breaker or fuses.

## HEATING CHARACTERISTICS

Power : 3000 W  
Type of resistances : Stainless steel sealed screened circular heating resistance  
Ventilation type : by hot air reaction moto turbine

- With glazed door, internal condensation may appear depending on the humidity rate generated by the products stored or by the use of a moistening kit.

## OPTIONS

S225B00 Solid stainless steel door (right opening)  
S220B08 Stainless steel glazed door (right opening)  
S220B50 Rounded st. steel bottom (1 door wall type)  
S220B51 Rounded st. steel bottom (2 door roll through type)  
S220B10 Internal lighting (at door opening)  
S220B17 Forced lighting switch

S225B10 Moistening kit  
S225B20 Supply 3~230V  
S225B21 Supply 1~230V

## ACCESSORIES

S220B30 Internal floor finish kit (except for optional st. steel bottom)  
S220B35 External floor finish kit

PACKAGING	Type	Gross weight (kg)	Volume(m3)	Width	Length	Height
-----------	------	-------------------	------------	-------	--------	--------

On a pallet wrapped in a polyethylene sheet	Open crate variant	200 (+15/door)	2.4 (+0.4/door)	1060	2150	950 (+160/door)
		210 (+15/door)	3.0 (1 or 2 doors)	1120	2210	1275 (1 or 2 doors)