

## Refrigerated cabinet • SN 1300• BIOSTORE range

### S 205 D 54

2 solid door 1350 litre negative model

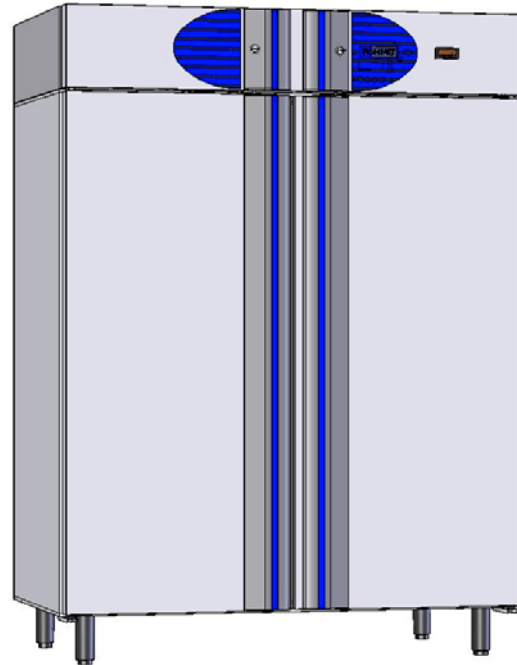
#### GENERAL CHARACTERISTICS

Refrigerated cabinet for professional use designed for the conservation of frozen or deep frozen foodstuffs.

2 solid doors.

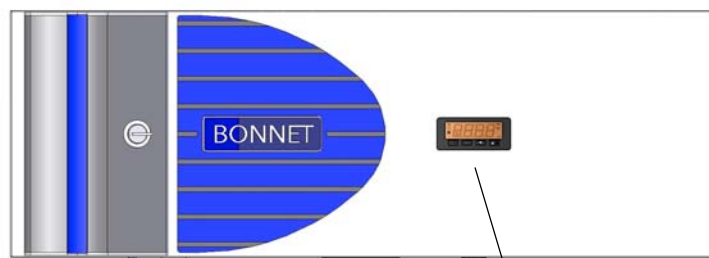
Inner gross capacity : 1339 dm<sup>3</sup>

Operating temperature : -18°C / -21°C ambient +43°C.



#### CONTROL PANEL, REGULATION

- . Temperature regulation with probe.
- . Temperature digital display.
- . Automatic defrosting regulation.
- . Temperature alarm.



On / Off switch

Electronic regulator

#### INNER FITTINGS

- 6 rilsan-covered gastro-norm GN 2/1 (600x530) wire shelves with 6 sets of stainless steel supports.
- Removable racks with 42 x 60 mm-spaced levels.

Code	Designation	Inner dimensions (L x P x H)	Outer dimensions (L x P x H)	Voltage	Max. power (W)	Intensity (protection)
S205D53	1350L negative cabinet	1320 x 690 x 1470	1440 x 875 x 2035	1~230V 50Hz+T	1000	aM 8
S205D53S	Variant without group					



#### Compliance with standards and directives

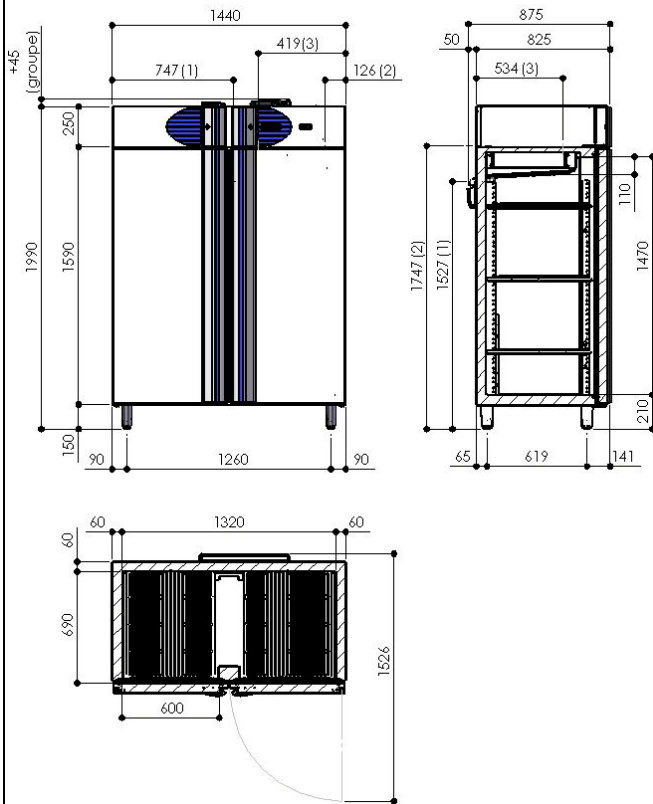
Electric safety:

Food hygiene:

Compliant with relevant European directives: CE

Technical sheet no **6BE656218FT-0109**

**S205D54 SN 1300**



- (1) : Connection of water from defrosting  
(2) : Electric connection  
(3) : Connection of refrigerating system

## CONSTRUCTION

Outer body (sides, front plate, door), in austenitic stainless steel.  
Inner housing in austenitic stainless steel.  
Back, top and bottom of the outer body in galvanised anticorrosion steel sheet.  
Inner door in austenitic stainless steel.

## Insulated body

- Mono-shell type.
- Inner housing with rounded bottom and walls.
- 60 mm thick expanded polyurethane foam insulation.
- Rupture of thermal bridge between inner housing and exterior.
- Stability of the cabinet ensured by 4 legs fitted with screw jacks for adjustment (or castors on option).
- Anti-condensation heating lead.

## Doors

- Closing system ensured by a clipped magnetic gasket.
- Lockable with keys.
- Call-back closing system with holding system in open position.
- Possibility to reverse the opening direction.

## ELECTRIC CHARACTERISTICS

Voltage : 1~230V 50Hz+T  
Max. power : 1000 W  
Protection : aM 8

The appliance is delivered with a supply cable + plug.  
The installer is responsible for electric overloads or problems.  
Foresee the installation of a circuit-breaker or fuses.

## REFRIGERATING CHARACTERISTICS

Refrigerating power: 750 W at -30/+55°C  
Coolant : R404A  
Load : See nameplate of the appliance  
Compressor : Seled  
Condenser : air-ventilated  
Evaporator : Double flow ventilated, treated against corrosion

Water from defrosting: Drip tray placed at the back of the cabinet with automatic re-evaporation by hot gas.

## OPTIONS

S 206 D 56	Change 1 solid door for 2 smaller doors
S 110 D 17	4 st. steel castors incl. 2 with brakes
S 206 D 01	Re-evaporation of water from defrosting
S 206 D 24	Inner factory-installed lighting
S 118 D 35	Electronic recorder
S 118 D 37	Printer for electronic recorder
S 206 D 64	Thermostatic reducing valve
S 206 D 74	Solid stainless steel exterior

## ACCESSORIES

S 201 D 90	Kit of 4 st. steel castors incl. 2 with brakes
S 206 D 02	Re-evaporation kit for water from defrosting
S 206 D 34	Inner lighting kit
S 206 D 11	Set of 2 stainless steel supports for wire shelves
S 206 D 12	Set of 6 st. steel supports for wire shelves
S 201 D 54	1 stainless steel wire shelf type GN 2/1
S 359 A 14	Set of 3 st. steel wire shelves type GN 2/1

## PACKAGING

Type	Gross weight	Volume	Width	Depth	Height
Wrapped in a polyethylene film on a pallet	274 kg	3 m <sup>3</sup>	1540	925	2100