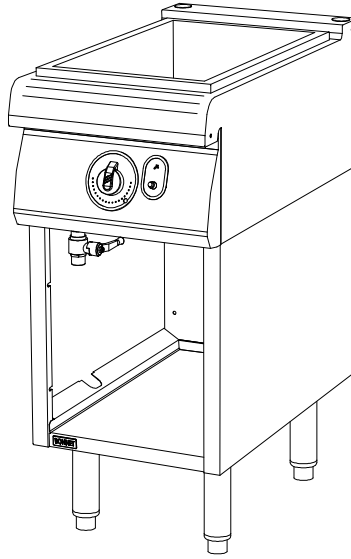


OPTIMUM 700, Electric cooking unit, bain marie on free bay**P075534****GENERALITIES**

- * All stainless steel one-piece upper structure (20/10 thick top + 15/10 thick laser continuously welded added side panels) enabling a flush assembly.
- * All stainless steel construction designed to avoid any infiltration.
- * Unfailing sturdy equipment for direct wall fixation.
- * Crown front with 20/10 thick ends enabling almost flush assembly.
- * Grouped and built-in controls protected from shocks and spillage. Removable fascia with maintenance position.
- * Appliance delivered with 4 black glass fibre reinforced polyamide legs fitted with screw jacks.

BAIN MARIE

- * Stainless steel inclined radiated tank, available in width 400 mm, with a 3 x GN 1/3 recipient capacity, and 150 mm in depth.
- * The tank may house the GN 1/1, GN 1/3 and GN 1/2 trays without adapter.
- * Heating is ensured by a stainless steel armoured resistance.
- * Control by a 6-position power trimmer and an operation indicator.
- * Safety thermostat.
- * Tank supplied with water through a solenoid valve and a front push-button and connection by the hose delivered.
- * Drainage by a ball valve housed in the free bay.

FREE BAY

- * A free bay compatible with the GN 1/1 set of trays, stainless steel bottom with anti-splash upstands.

OPTIONS

- * Stands for masonry basement (see specific technical documentations).
- * One-piece wall or central 30/10 thick top.

ACCESSORIES

- * Crossbars for GN 1/4 and GN 1/6 trays.
- * Wall hanging kit.

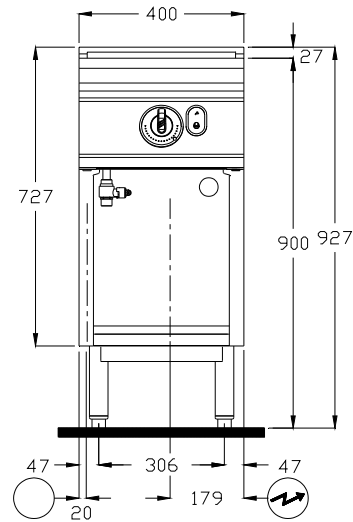
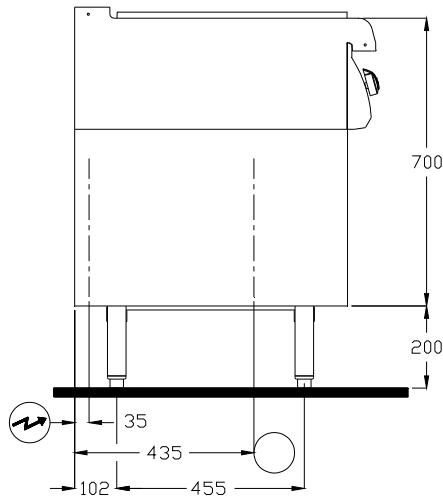
STANDARDS: Compliance with standards



EN 60335-2-50: European standard relating to the safety of electric appliances.
(French standards: Classification index C 73-850).

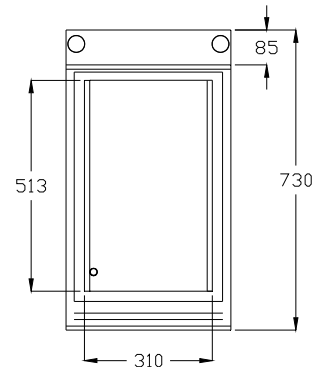
IP 25 and IK 9: Protection indexes.

XP U 60-010: Hygiene.

BONNET

BONNET GRANDE CUISINE**Registered office:**Rue des Frères Lumière - Z.I Mitry Compans
77292 MITRY MORY Cedex**P075534**

-  **ELECTRIC connection**
(Foresee a cable with 1.5 m free length)
-  **COLD WATER**

**MODEL** B-B706.BM400**DIMENSIONS (mm)**

Height	927
Width	400
Depth	730

PACKAGING (mm)

Height	1150
Width	500
Depth	830

WEIGHT (KG)


50

COMPOSITION OF THE TOP

Number of GN 1/3 recipients	3
-----------------------------	---

COMPOSITION OF THE BOTTOM PART

Width of free bay	400
-------------------	-----

 **ELECTRICITY** (Single-phase or three-phase 230V+T or 400V+N+T)

Power (kW)	230V a.c.	1.5
	230V 3a.c.	1.5
	400V 3Na.c.	1.5
Max. intensity (A)	230V a.c.	6.5
	230V 3a.c.	6.5
	400V 3Na.c.	6.5

 **COLD WATER**

Pressure	2.5/6 bars
Connection	Hose Ø 12/17

ELECTRIC CONNECTION

Electric outlet at 615 mm above the floor